

# RENAULT AUSTRAL E-TECH FULL HYBRID

200 HP



17 December 2024

# a new hybrid vision of the SUV

Renault Austral E-Tech full hybrid is a game changer: esprit Alpine version, with 2 x 12" openR screens, 9.3" head-up display<sup>(2)</sup> and Google built-in services.



## An innovative and immersive experience awaits you on board Renault Austral E-Tech full hybrid.

**200 hp E-Tech  
full hybrid  
engine**

**up to 30  
advanced driver-  
assistance  
systems<sup>(2)</sup>**

**2x12" openR  
screens, with  
Google built-in<sup>(4)</sup>**

**575 L<sup>(1)</sup>  
of boot  
volume**

**9.3" head-up  
display<sup>(3)</sup>**

**from 105g CO<sub>2</sub>  
and up to  
60.1 mpg<sup>(5)</sup>**

(1) according to VDA protocol with rear bench seats forward.

(2) depending on version.

(3) on esprit Alpine versions.

(4) Google, Google Maps, Google News, Waze and other marks are trademarks of Google LLC. My Renault, Google Maps and Google Assistant connected services are provided free of charge for 5 years from the date of delivery of your vehicle.

(5) values type-approved according to version/in accordance with WLTP protocol / UTAC source. WLTP test data shown for comparability purposes only. real world driving results may vary.

# **interactive menu**

**01. design**

**02. driving pleasure**

**03. driving experience**

**04. multimedia**

**05. interior space**

**06. advanced driver-assistance systems**

**07. customisation**

**PDF to be downloaded**



**equipment and engines**



**accessories**

## athletic design

**Wide shoulders and a muscular bonnet for an intensely proportioned design. The glossy black<sup>(1)</sup> roof highlights the elegance of the lines. Contrasting side protection elements<sup>(1)</sup> reinforce the dynamic silhouette.**



**Arising from the historic collaboration between the Renault and Alpine design teams, the esprit Alpine version asserts its dynamic character: 20" daytona black diamond cut wheels, exclusive matte shadow grey colour<sup>(2)</sup>, matte grey F1 blade at the front, glossy black roof, flush roof bars and distinctive badging<sup>(2)</sup>.**

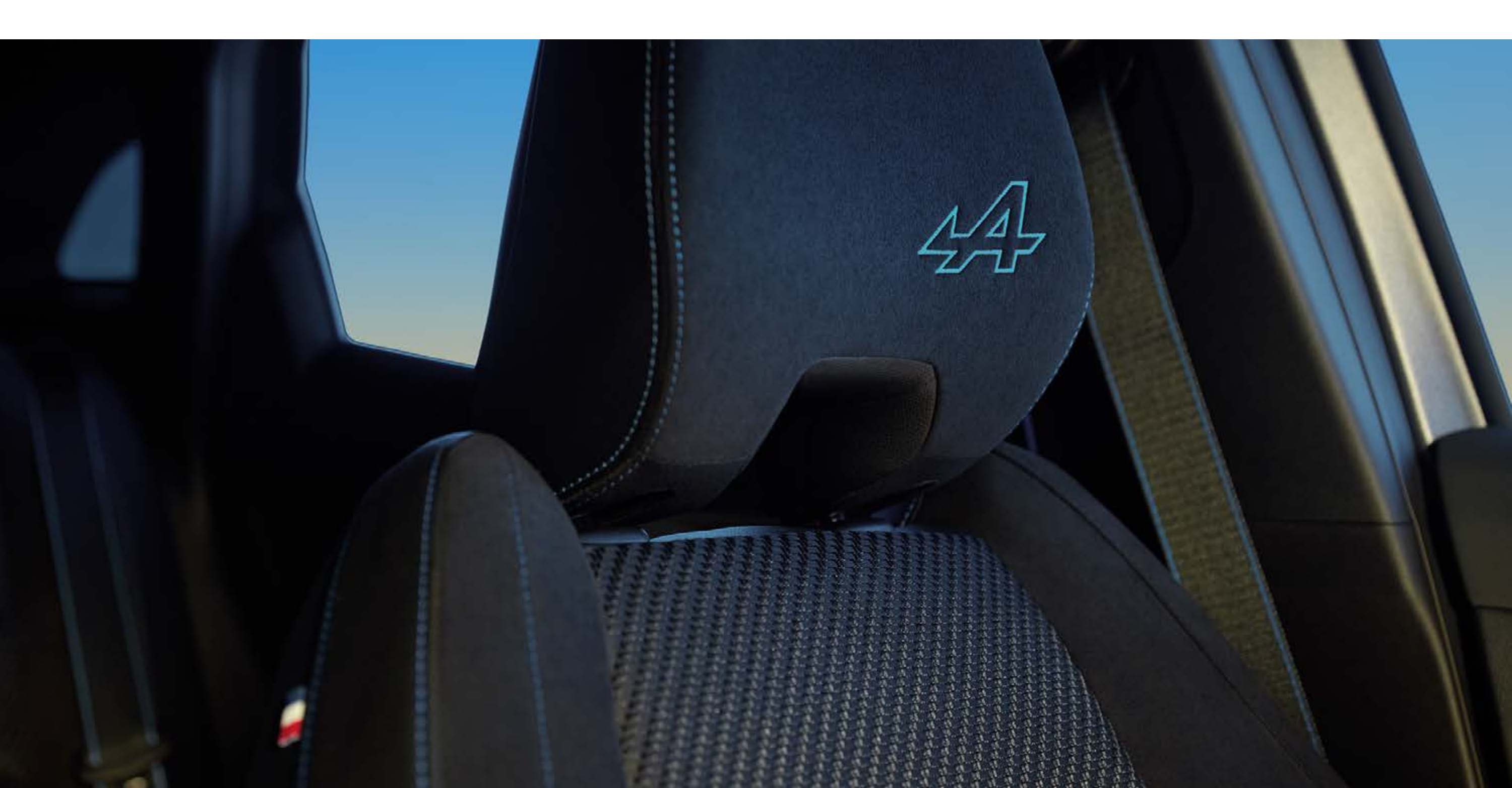


20" daytona black diamond-cut alloy wheels with smoky grey clearcoat<sup>(2)</sup>



esprit Alpine badge<sup>(2)</sup>

**The esprit Alpine Alcantara® fabric upholstery is enhanced with blue top-stitching, the headrests feature exclusive embroidered motifs, and the aluminium pedal unit energises the cockpit. As a final touch, the textured Alcantara® coated steering wheel has blue, white and red stitching.**



(1) depending on version.

(2) available on esprit Alpine versions.

**build yours →**

## 02. driving pleasure

# the best of the hybrid

E-Tech  
**full hybrid**

E-Tech  
**200 hp**

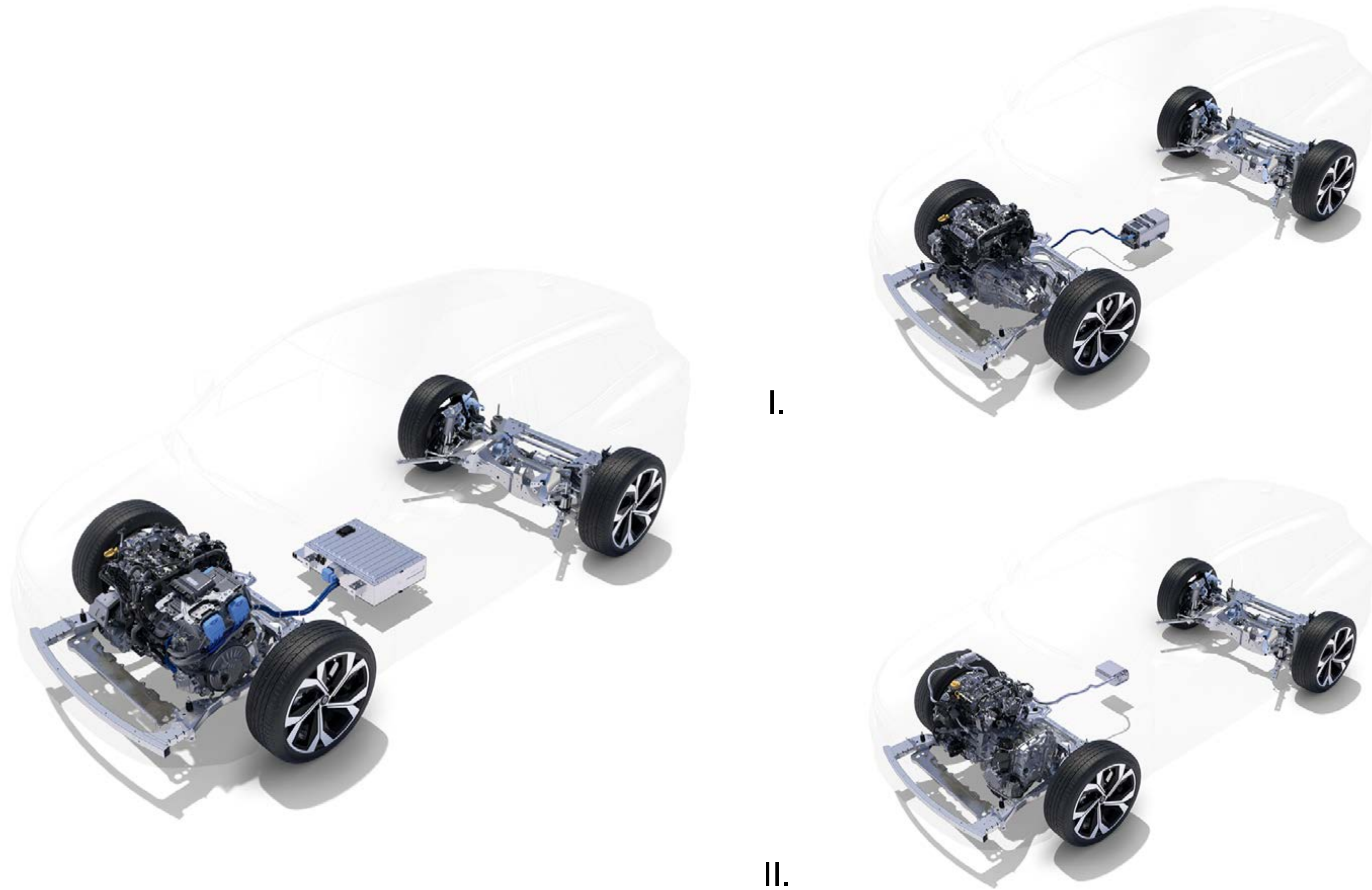
up to  
**683 miles**  
of range<sup>(2)</sup>

up to  
**60.1mpg**  
fuel consumption<sup>(1)</sup>

from  
**105 g/km**  
CO<sub>2</sub> emissions<sup>(1)</sup>



**Discover our 100% hybrid range with the E-tech full hybrid engine: one of the most efficient in its category.**



The battery recharges during deceleration and braking: no need to plug in to recharge.

	<b>E-Tech full hybrid 200</b>
<b>technology</b>	400V battery + 2 electric engines + 1 internal combustion engine
<b>fuel consumption<sup>(1)</sup></b>	up to 60.1 mpg
<b>CO<sub>2</sub> emissions<sup>(1)</sup></b>	from 105 g/km
<b>energy recovery via deceleration and braking</b>	yes
<b>management of the level of energy recovery</b>	yes
<b>electric assistance to the internal combustion engine</b>	yes

(1) values type-approved according to version/in accordance with WLTP protocol / UTAC source. wltptest data shown for comparability purposes only. real world driving results may vary.  
 (2) up to 683 miles of driving range with a full tank of petrol according to WLTP data. WLTP figures shown are for comparability purposes only. real world driving results may vary depending on factors including weather conditions, driving styles, vehicle load or any accessories fitted after registration. internal source. based on a full tank on Austral Iconic Esprit Alpine vs WLTP fuel consumption.

**build yours →**

# on-board technologies

To optimise the driving experience, the controls are oriented towards the driver and the most important information is directly beneath their eyes and in the drivers eye line with the head-up display<sup>(1)</sup>.



Don't take your eyes off the road: the new 9.3" head-up display<sup>(1)</sup> projects essential information on to the windscreen.



find your speed, driver-assistance systems and navigation on the head-up display<sup>(1)</sup>

Engine response and sound, steering firmness, ambient lighting and driver screen configuration. With multi-sense, customise your vehicle with up to 4 driving modes available for a unique driving experience.



sport mode: intense driving pleasure



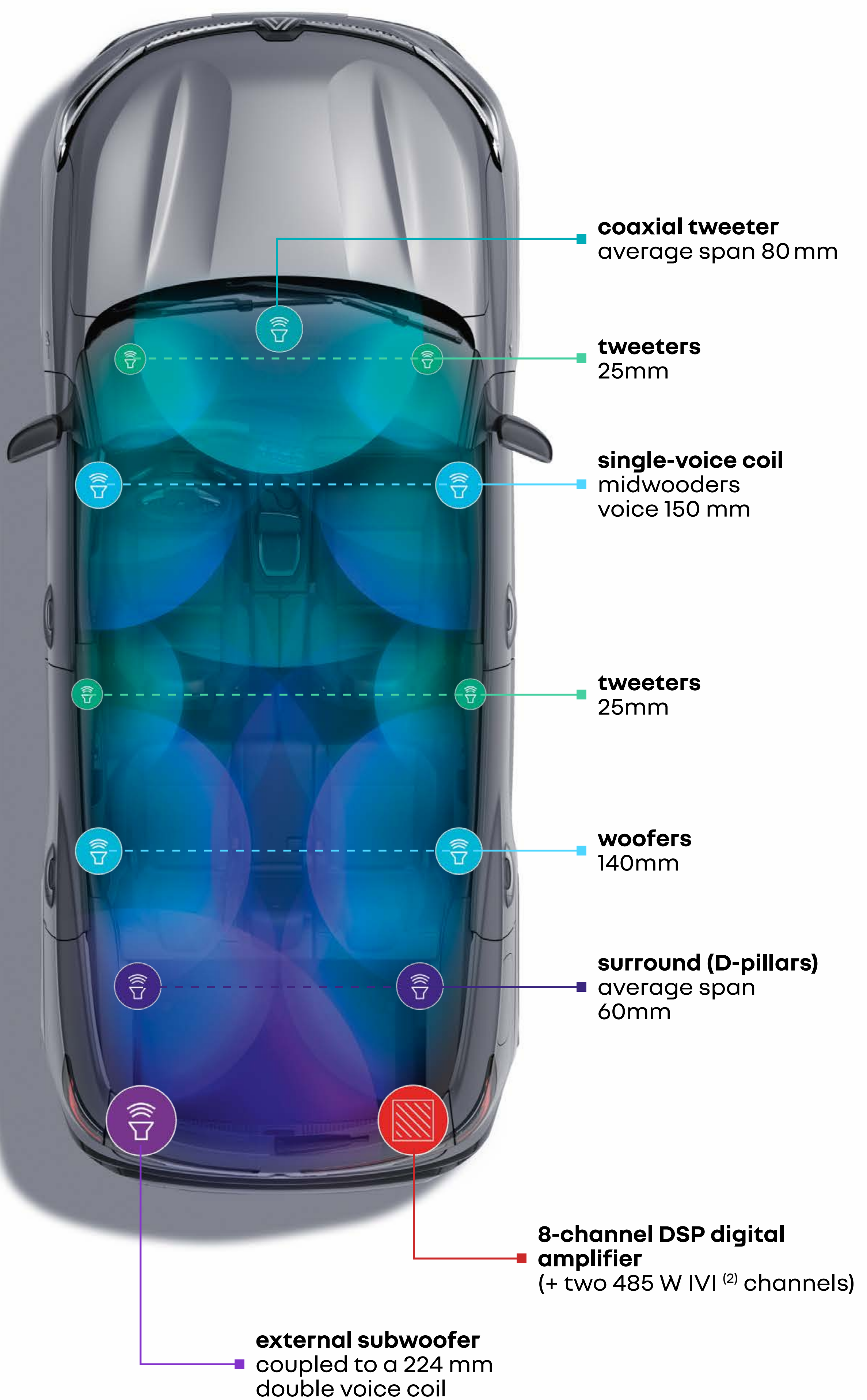
eco mode: optimised fuel consumption.

other modes available are:  
comfort mode: combines safety and driving comfort  
perso mode: a fully customisable driving experience

(1) on esprit Alpine versions.

# high-fidelity sound Harman Kardon<sup>(1)</sup>

Enjoy an immersive sound experience with the new and exclusive Harman Kardon<sup>(1)</sup> system that delivers 485 watts of power through 12 speakers positioned around the passenger compartment.



(1) available on iconic esprit Alpine version.  
(2) on-board Infotainment (IVI).

**build yours →**

# openR link multimedia system with Google<sup>(1)</sup> built-in

The openR link multimedia system and its 2x12" of digital display of intuitive technology incorporate the best My Renault connected services and with Google<sup>(1)</sup> built-in.



Amazon Music, EasyPark, Radioplayer... more than 50 applications<sup>(1)</sup> with exclusive content are available via Google Play<sup>(2)</sup>.



**Waze** is a community-based navigation app that shares information in real time. Waze boosts your peace of mind.



Drive to the beat with our new musical game – **SongPop for Renault!** Play together and rediscover popular songs with your family and friends!



Take to the road while listening to playlists, and much more, with **Amazon Music**, included with your Amazon Prime subscription.



Use Spotify to listen to your favourite podcasts, playlists, and artists all simply using your Google voice activation.



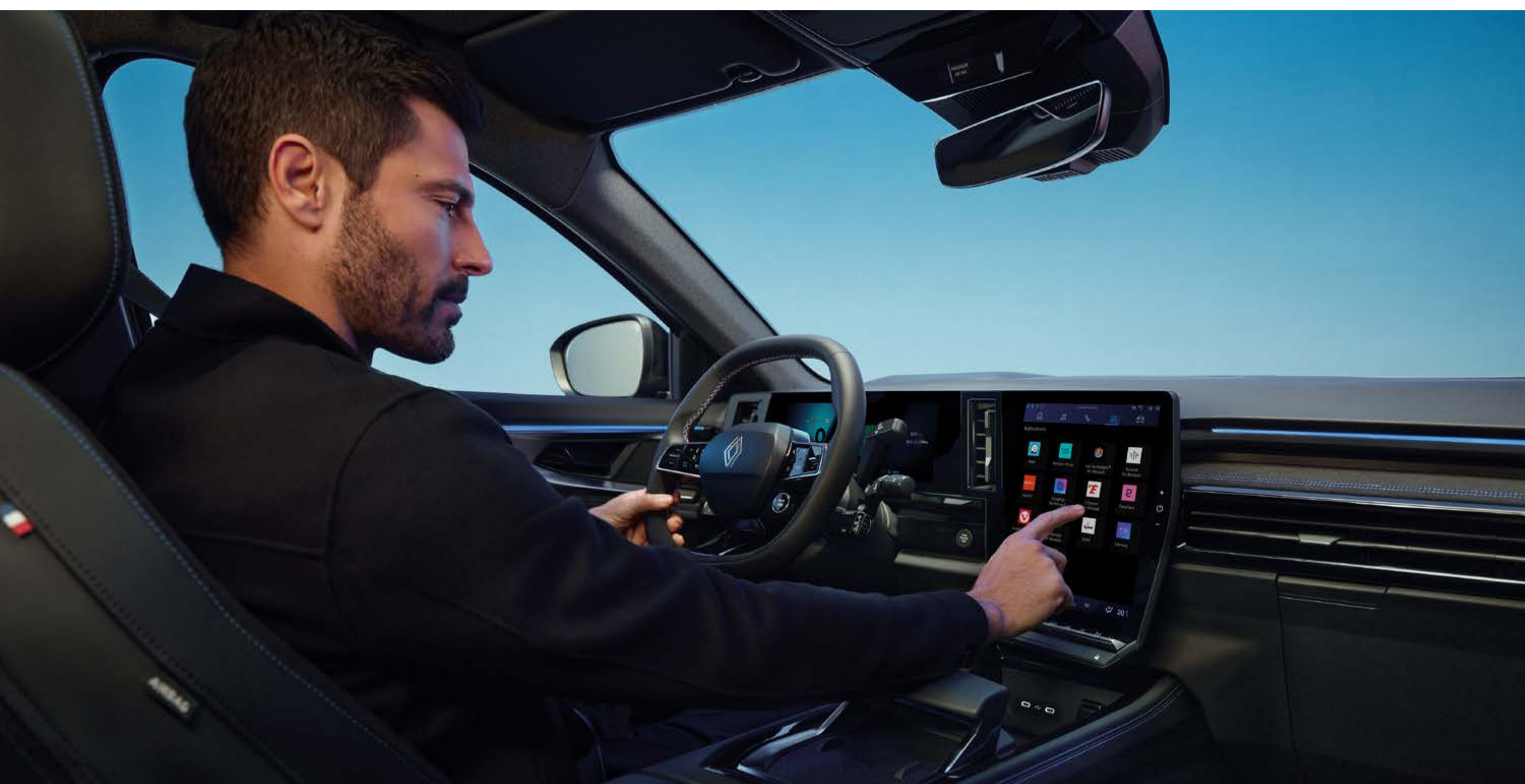
**Vivaldi browser** is an efficient, fast web browser that respects your privacy.



Access all your favourite radio stations live, at any time, in France or abroad, with **Radioplayer for Renault.**



**“Hey Google...” Talk to Google to plan a journey, change driving mode or adjust the temperature. The voice assistant<sup>(1)</sup> is always available.**



**Blocked road, new one-way street, temporary deviation... The Google Maps navigation system<sup>(1)</sup> ensures precise driving even in the event of network loss.**



- (1) Google, Google Maps, Google News, Waze and other marks are trademarks of Google LLC. My Renault, Google Maps and Google Assistant connected services are provided free of charge for 5 years from the date of delivery of your vehicle.
- (2) The use of applications downloaded from Google Play requires a dedicated data package. To use apps, share your phone's connection with your Renault.

**build yours →**

## 05. interior space

# comfort and modular design

**A generous amount of legroom providing ultimate comfort. The rear bench slides up to 16cm, giving a larger boot when you need it.**



panoramic sunroof on iconic esprit Alpine

**Get up to 1,525 L<sup>(1)</sup> of boot volume by folding down the rear seats.**



place your foot underneath the boot sill and it opens automatically thanks to the hands-free motorised tailgate<sup>(2)</sup>



hand rest and wireless smartphone charger<sup>(2)</sup>

(1) including underfloor storage.

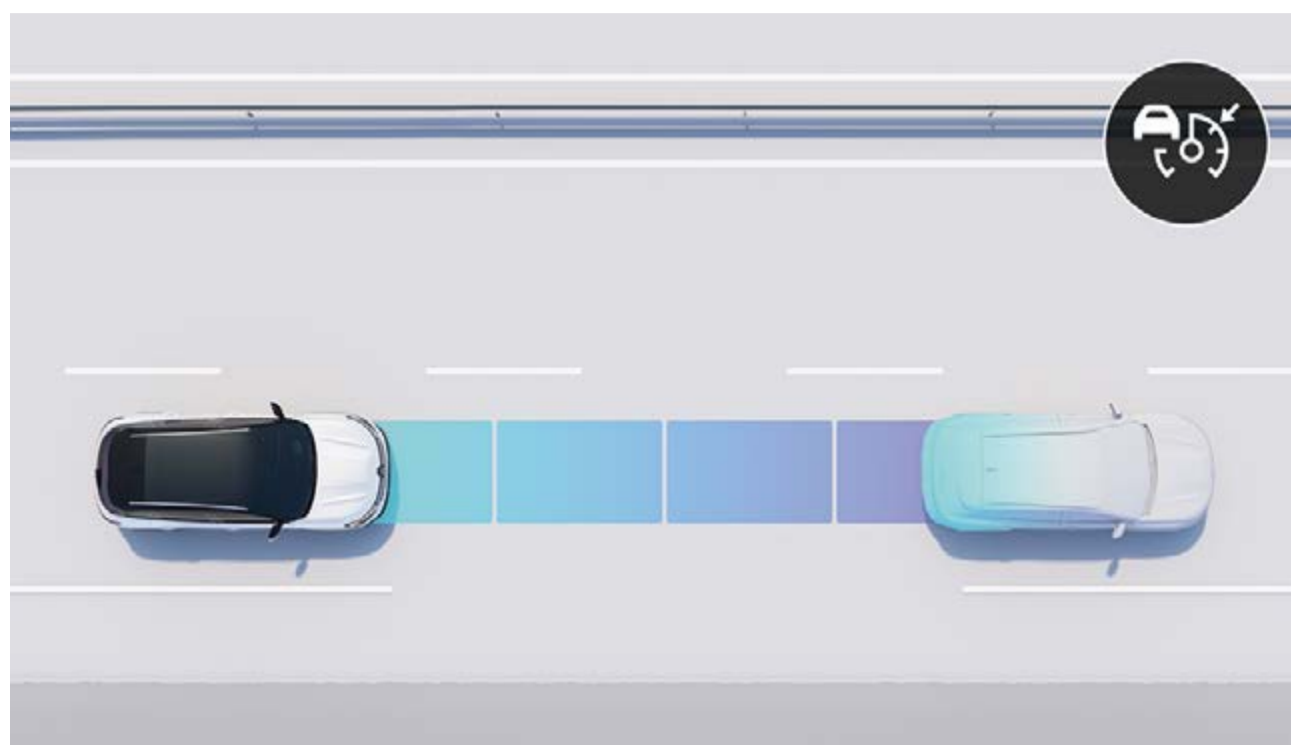
(2) version dependant.

**build yours →**

## 06. advanced driver-assistance systems

# up to 30 advanced driver-assistance systems<sup>(1)(2)</sup>

Renault Austral E-Tech full hybrid offers up to 30 advanced and innovative driver-assistance systems.



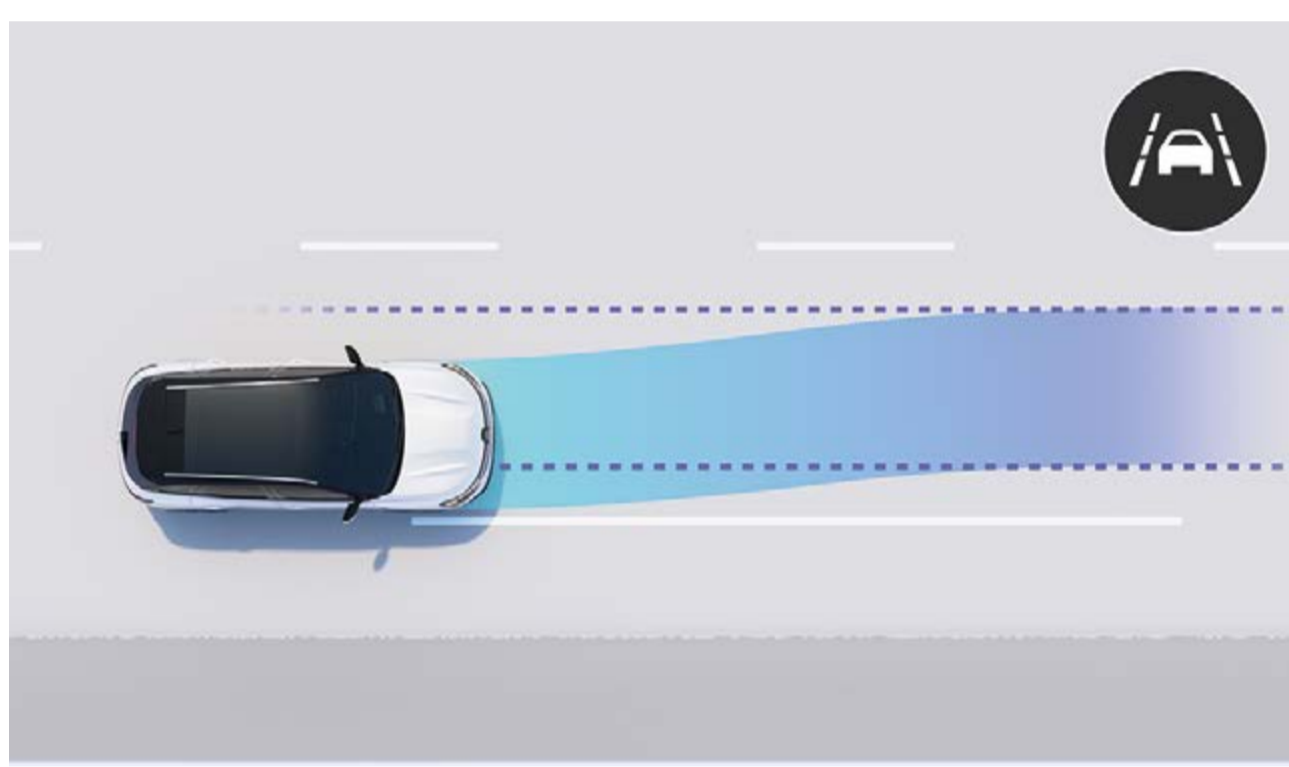
**adaptive cruise control**  
It maintains a safe distance between you and the vehicle in front by activating the brakes when the distance is too short and the accelerator when the road is clear again.



**Matrix Vision LED headlights**  
The system automatically adjusts the light beam shape to the traffic and weather conditions to avoid glare and optimise night vision.



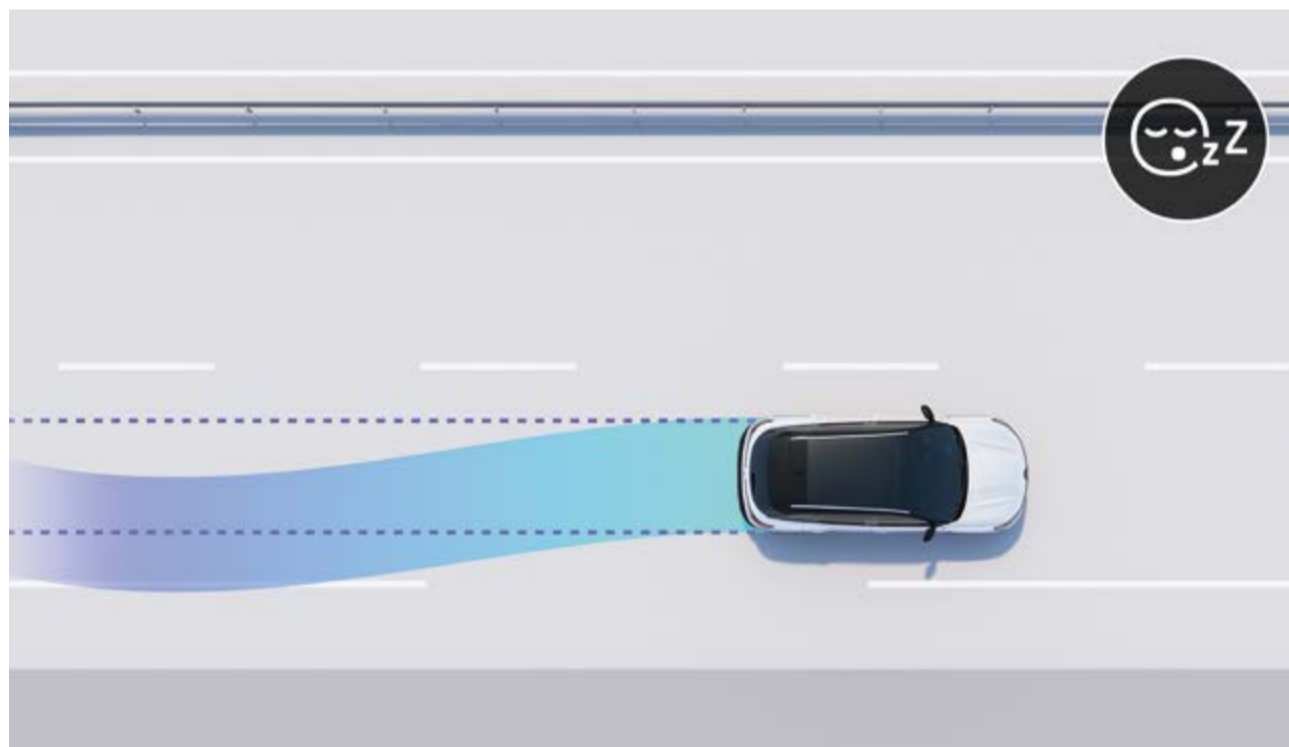
**rear automatic emergency braking**  
Comes into action if it detects any obstacles whilst reversing the car, if a risk of collision is detected the brake force is increased, if the driver fails to react following an alert of an imminent collision, the system activates the brakes.



**lane keeping assist**  
Active from 40mph, the system uses the front camera to detect unintentional crossing of a broken line (without activating the turn signal). It acts on the steering wheel to assist the driver in bringing the vehicle back into its lane.



**360° view 3D camera**  
4 cameras, whose images recreate the vehicle's direct environment 360° around it, allow you to perform your manoeuvres effortlessly.



**driver attention alert with drowsiness warning**  
This system warns the driver if fatigue is detected via an audible alert and a message on the dashboard, detection is based on analysis of the drivers reactions.

### driving

- active driver assist<sup>(3)</sup>
- hill start assist
- 9.3" head-up display (210 cm<sup>2</sup>)
- distance warning alert
- cruise control
- adaptive cruise control
- automatic wipers

### parking

- rear parking sensors
- front parking sensors
- side parking sensors
- 360° view 3D camera
- rear view camera
- hands-free parking

### safety

- lane change warning
- lane departure warning
- lane keeping assist
- blind spot warning
- emergency brake assist with intersection function
- rear automatic emergency braking
- city/suburban automatic emergency braking with pedestrian/cyclist detection
- lane departure prevention in the event of overtaking
- intelligent speed assist: road sign recognition / road sign recognition with speed alert
- front cross traffic alert
- rear cross traffic alert
- driver attention alert with drowsiness warning
- emergency lane keep assist including overtaking & oncoming traffic

### lighting

- LED Matrix Vision headlights
- auto high/low beam headlights activation
- adaptive vision LED headlights (with integrated fog light function)

(1) depending on version. (2) always follow road safety regulations. It is your responsibility to stay alert, drive safely and be in control of the vehicle at all times. You should not solely rely on driver convenience and assistance features. Some features may not work in all conditions and circumstances, and they have speed and other limitations. (3) included for 5 years.

**build yours →**

## 07. customisation

# colours



**arctic white (nmp)<sup>(1)</sup>**



**flame red (mp)**



**diamond black (mp)**



**iron blue (mp)**



**shadow grey (mp)**



**matte shadow grey (only available with diamond black roof) (m)<sup>(2)</sup>**

nmp: non metallic paint.

m: matte paint.

mp: metallic paint.

photos not contractually binding.

(1) standard on techno and techno esprit Alpine versions and standard with diamond black roof on iconic esprit Alpine.

(2) available only on the esprit Alpine versions.

**build yours →**

## 07. customisation

# interior trims



### techno

- 19" komah black diamond cut alloy wheels
- matrix LED vision headlights
- wireless phone charger
- rear view camera
- 12.3" driver information display
- 12" openR link central touchscreen multimedia system: Arkamys 6-speaker audio with DAB and Google built-in<sup>(1)(2)</sup>



### techno esprit Alpine (in addition to techno)

- 20" daytona black diamond cut alloy wheels
- heated front seats & electric front driver & passenger seat
- electrically adjustable driver's seat with massage function
- electric power boot with handsfree opening
- esprit Alpine styling
- heated steering wheel
- 9.3" head up display



### iconic esprit Alpine (in addition to techno esprit Alpine)

- 360° around view 3D camera
- handsfree parking
- 12" openR link central touchscreen multimedia system: Harmon Kardon 12-speaker premium audio with DAB and Google built-in<sup>(1)(2)</sup>
- panoramic sunroof

(1) Google, Google Maps, Google News, Waze and other marks are trademarks of Google LLC. My Renault, Google Maps and Google Assistant connected services are provided free of charge for 5 years from the date of delivery of your vehicle.

(2) The use of applications downloaded from Google Play requires a dedicated data package. To use apps, share your phone's connection with your Renault.



**download the trims and equipment PDF (6 MB)**

## 07. customisation

# upholstery



leatherette & grey gradient fabric upholstery<sup>(1)</sup>



esprit Alpine carbon fabric & Alcantara upholstery with blue stitching<sup>(2)</sup>

# wheels



19" komah black diamond cut alloy wheels<sup>(1)</sup>



20" daytona black diamond cut alloy wheels<sup>(2)</sup>

(1) standard on techno.

(2) standard on techno esprit Alpine & iconic esprit Alpine. Alpine lettering not on wheels in the UK.

**build yours →**

## 07. customisation

# accessories



### customisation packs

Customise your vehicle's exterior trim with four colour packs: carbon effect, gold accents, light grey or satin metal grey.



### touring pack

Roof bars 480L and roof box



### towbars

Fully electric, swan neck and removable towbars available.



### sidesteps

Emphasise the robust style of Renault Austral with the sidesteps which make it easier to access accessories on the roof and protect the bodywork from everyday shocks.



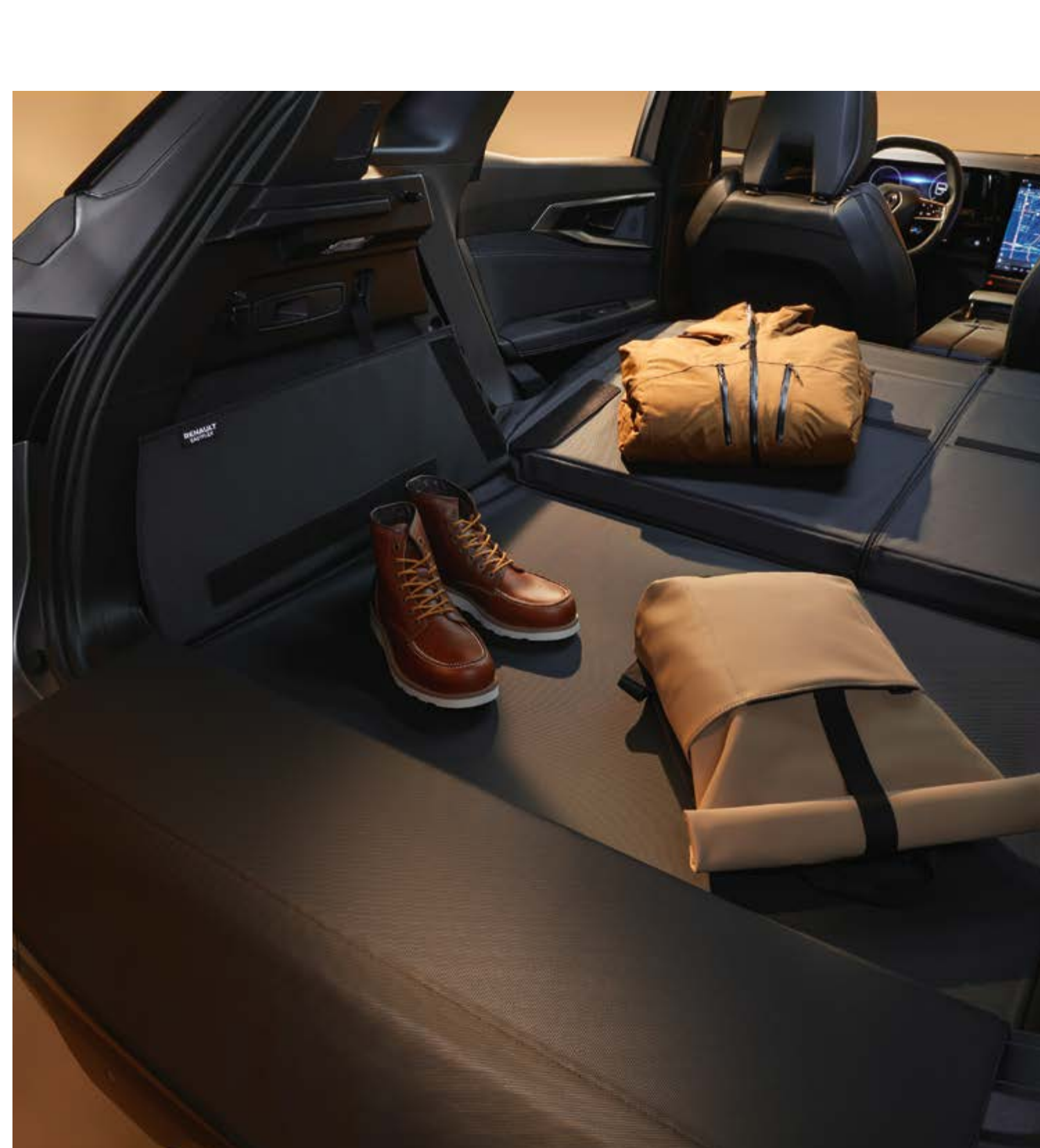
### esprit Alpine textile floor mats

Choose from a full range of mats to protect your vehicle's passenger compartment.



### pet pack

Separation grid and modular boot liner

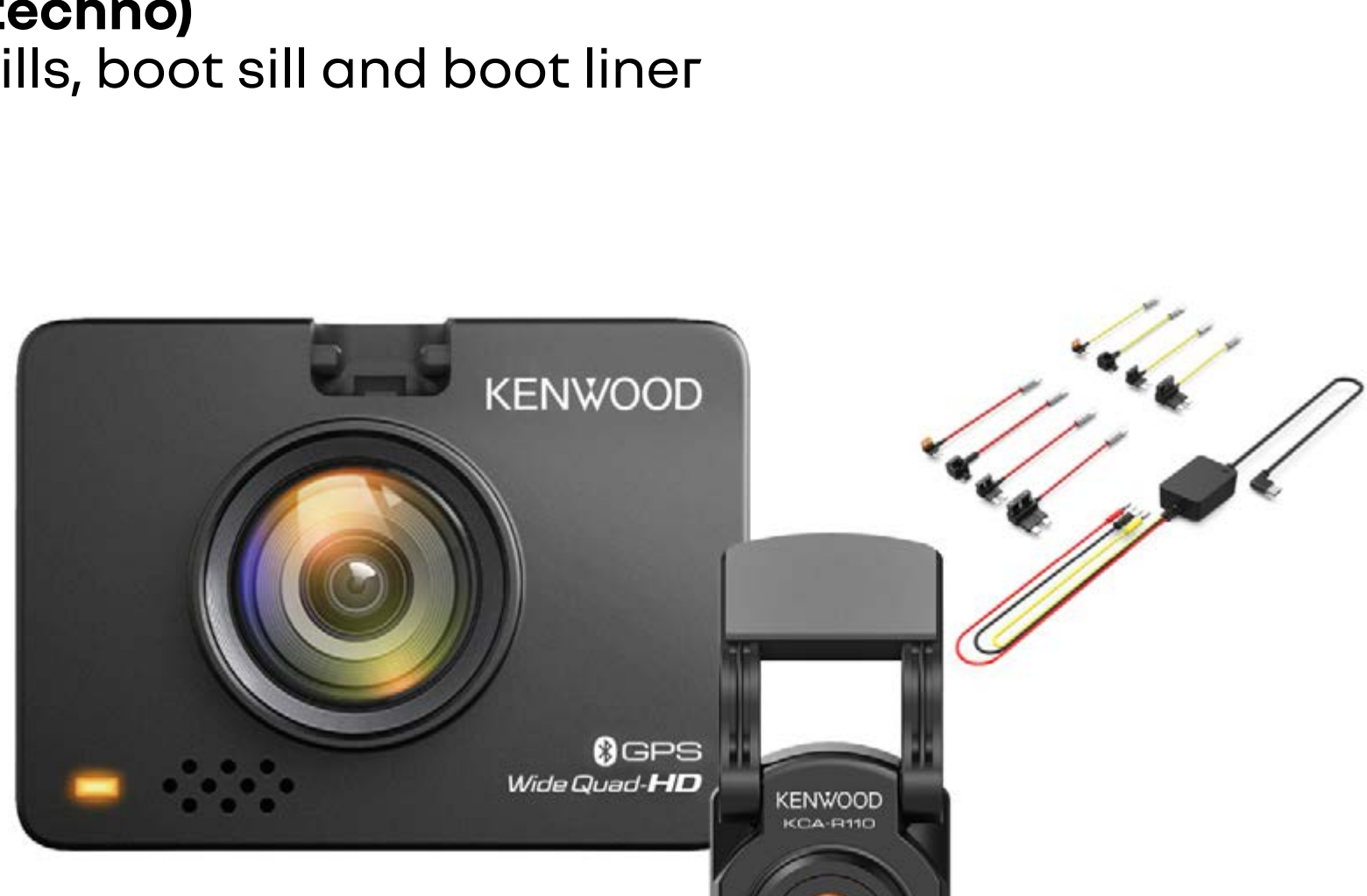


### rubber mats



### protection pack (techno)

Illuminated door sills, boot sill and boot liner



### dash cam pack

Front and rear dashcam



### spare wheel kit

Spare wheel kit and kit bag.



**download the accessories brochure PDF (6 MB)**

**build yours →**

## 07. customisation

# engines

**E-Tech  
full hybrid  
200 hp**

**energy**

full hybrid  
+ unleaded petrol (E10)

**max. power kW EEC (hp) / engine speed of (rpm)**

96 kW at 4,500 rpm  
(internal combustion engine only)

**max. torque (Nm EEC) / engine speed of (rpm)**

205 N.m / 1,750 rpm

**batteries**

lithium-ion

**performance**

**maximum speed (mph)**

108

**0-62mph (seconds)**

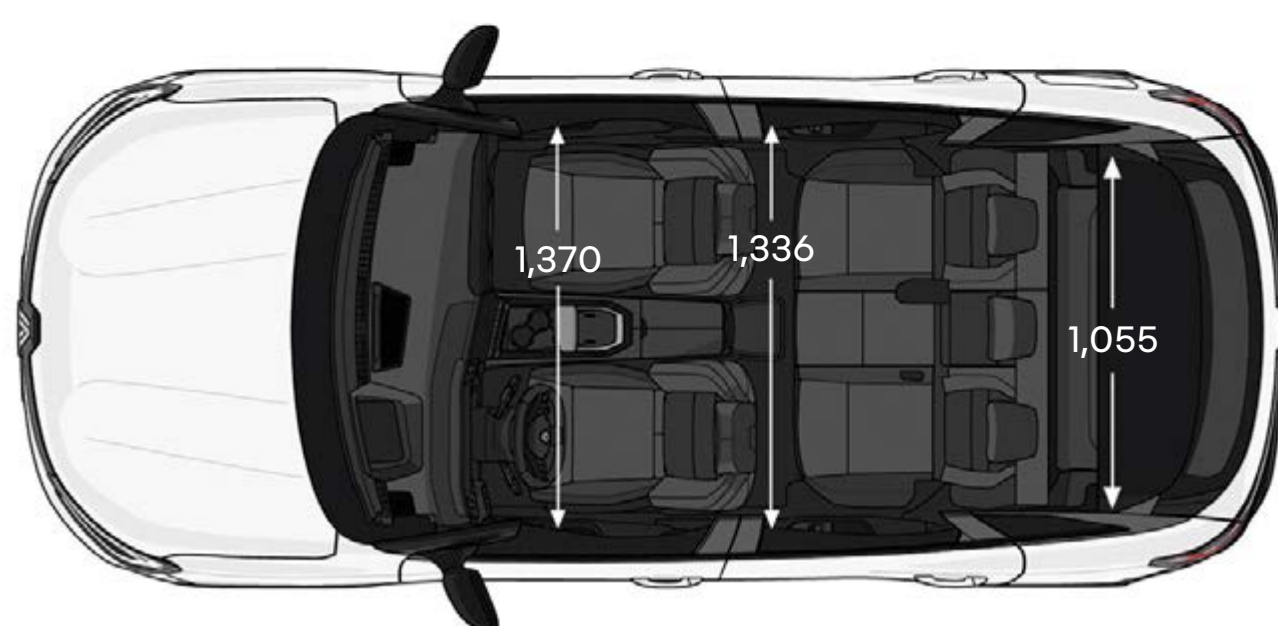
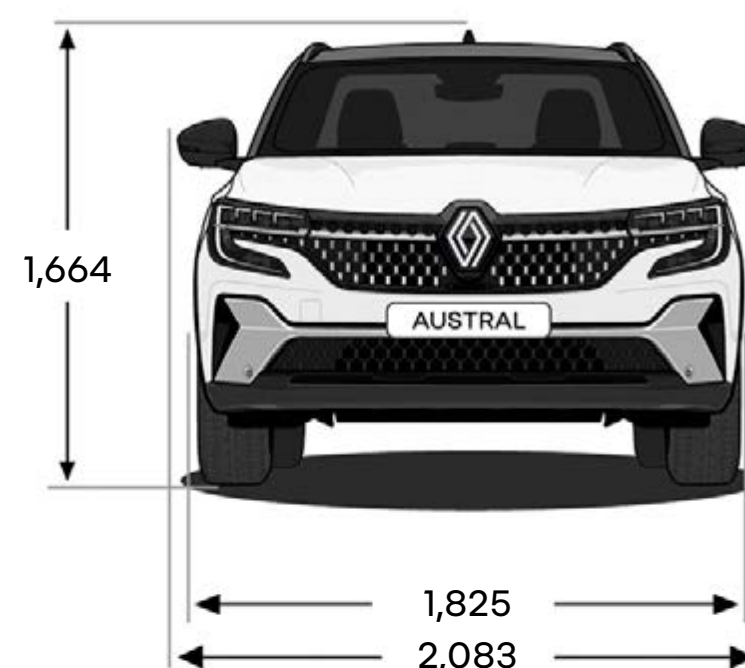
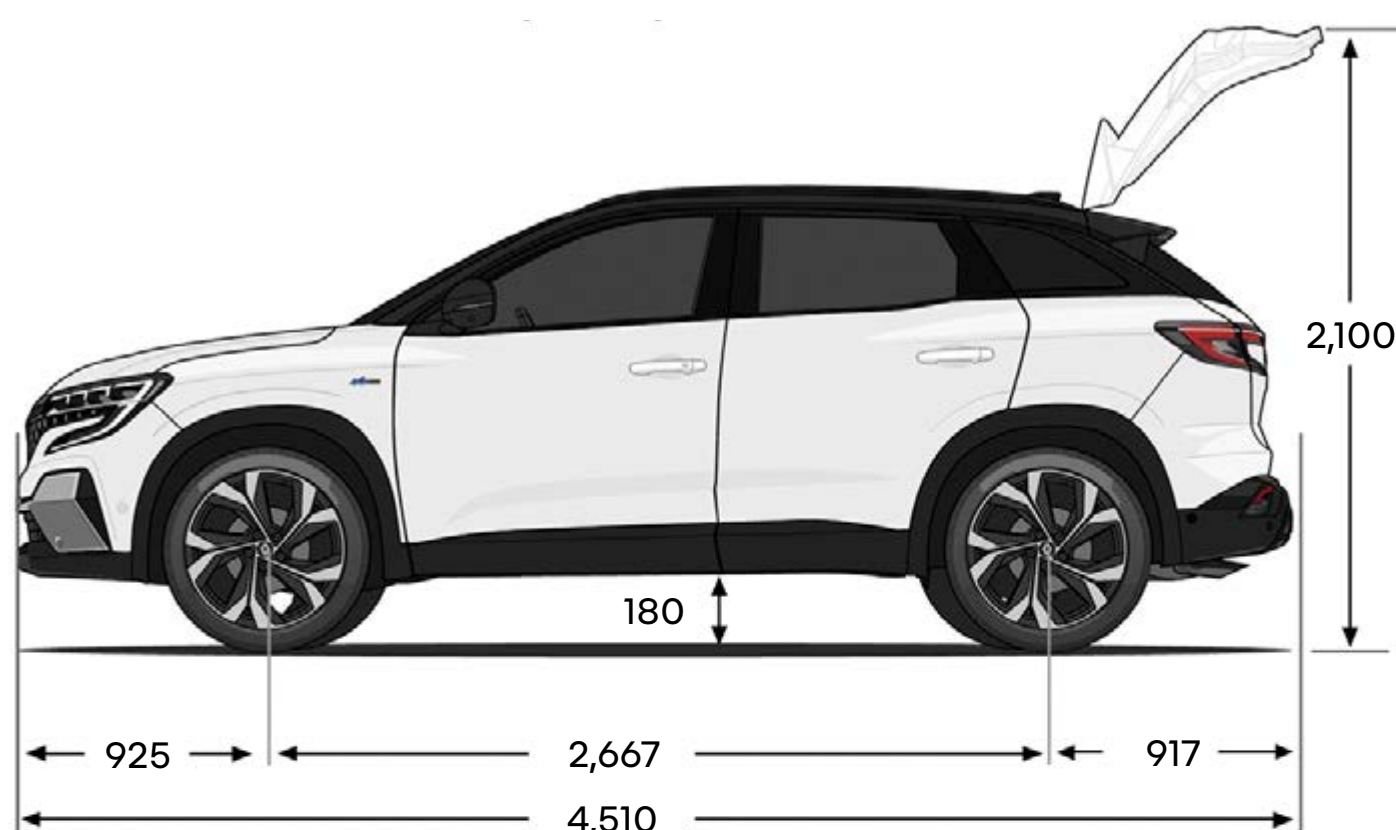
8.4



**download the  
engine PDF (6 MB)**



# dimensions and volumes



dimensions in (mm).

## Boot volume (in litres)

## E-Tech full hybrid

boot volume (rear bench seats forward)<sup>(1)</sup>

575

boot volume (with rear seats folded down)<sup>(1)</sup>

1455

(1) VDA (dm<sup>3</sup>).

**build yours →**

# Renault care service

**Replace what is necessary,  
at the right time. Thanks to  
its connected and predictive  
maintenance features, it is easy  
to service your Renault Austral  
E-Tech full hybrid. And thanks  
to the My Renault application,  
quotes, online appointments  
and even service history are  
at your fingertips.**

**[find out more about Renault care service](#)**



Every precaution has been taken to ensure that the contents of this brochure were accurate and up-to-date at the time of publication. This document has been created using pre-production and prototype models. In line with its policy of continuous product improvement, Renault reserves the right to modify the specifications, vehicles and accessories described and featured at any time. Any such modifications are communicated to Renault dealers as quickly as possible. Depending on the country of sale, versions may differ and some equipment may be unavailable (standard, optional or accessory). Please contact your nearest dealer for the latest information. For reasons to do with the medium, the colours featured in this document may differ slightly from those of the actual paintwork or interior trim. All rights reserved. Reproduction in any format and by any means of all or part of this brochure is prohibited without prior written authorisation from Renault.

Publicis - photo credits: P. McLean, © Renault Marketing 3D-Commerce - December 2024.  
Renault s.a.s, a French simplified joint stock company with a share capital of €533,941,113.00 / 122-122 bis avenue du Général Leclerc - 92100 Boulogne-Billancourt Cedex, France - registered on the Trade and Companies Registry (R.C.S.) of Nanterre under number B 780 129 987 / tel.: 0806 00 20 20.

Renault recommends 



**build yours →**